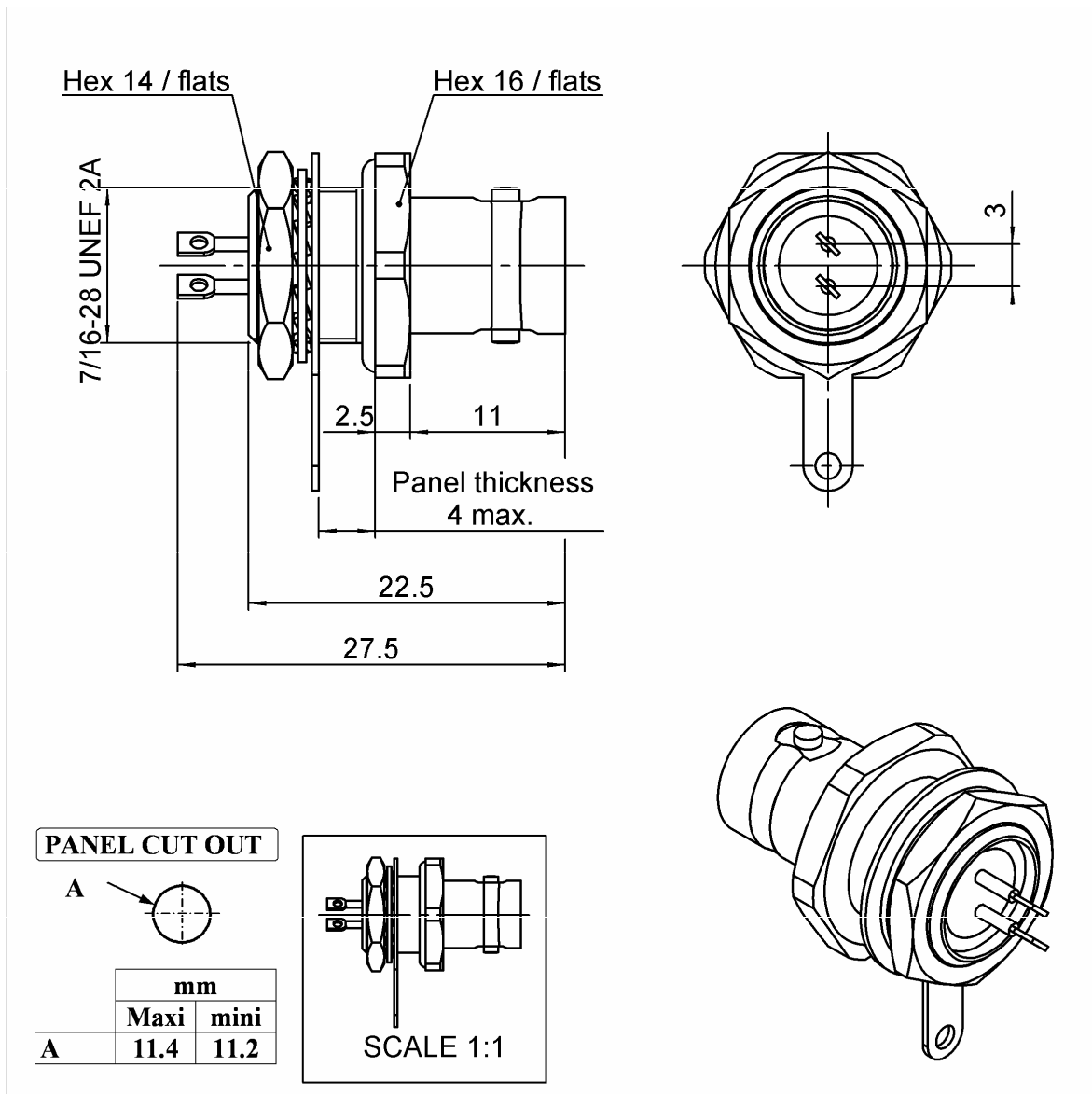


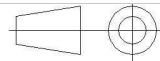
**HERMETIC RECEPTACLE WITH GLASS PEARL**

**R605.610.000**

Series : **BR2**



All dimensions are in mm.



COMPONENTS	MATERIALS	PLATING (µm)
<b>BODY</b>	<b>BRASS</b>	<b>NICKEL 2</b>
<b>CENTER CONTACT</b>	<b>BERYLLIUM COPPER</b>	<b>SILVER 5</b>
<b>OUTER CONTACT</b>	-	-
<b>INSULATOR</b>	<b>POLYAMIDE</b>	-
<b>GASKET</b>	<b>SILICON RUBBER</b>	-
<b>OTHERS PARTS</b>	-	-
-	-	-
-	-	-

Issue : 0912 B

In the effort to improve our products, we reserve the right to make changes judged to be necessary.



**HERMETIC RECEPTACLE WITH GLASS PEARL**

**R605.610.000**

Series : **BR2**

**PACKAGING**

**SPECIFICATION**

Standard	Unit	Other
	<b>'W' option</b>	<b>Contact us</b>

**ELECTRICAL CHARACTERISTICS**

**ENVIRONMENTAL**

Impedance	<b>80</b>	$\Omega$
Frequency	<b>0-0.5</b>	GHz
VSWR	<b>NA + 0.0000</b>	x F(GHz) Maxi
Insertion loss	<b>NA</b>	$\sqrt{F}$ (GHz) dB Maxi
RF leakage	<b>NA - (</b>	<b>NA</b> - F(GHz)) dB Maxi
Voltage rating	<b>500</b>	Veff Maxi
Dielectric withstanding voltage	<b>1500</b>	Veff mini
Insulation resistance	<b>5000</b>	M $\Omega$ mini

Operating temperature	<b>-40/+100</b>	$^{\circ}$ C
Hermetic seal	<b>10<sup>-6</sup></b>	Atm.cm3/s
Panel leakage	<b>NA</b>	

**OTHER CHARACTERISTICS**

Assembly instruction

Others :

**MECHANICAL CHARACTERISTICS**

Center contact retention		
Axial force – Mating end	<b>NA</b>	N mini
Axial force – Opposite end	<b>NA</b>	N mini
Torque	<b>NA</b>	N.cm mini
Recommended torque		
Mating	<b>NA</b>	N.cm
Panel nut	<b>NA</b>	N.cm
Mating life	<b>500</b>	Cycles mini
Weight	<b>NA</b>	g

Issue : 0912 B

In the effort to improve our products, we reserve the right to make changes judged to be necessary.

